

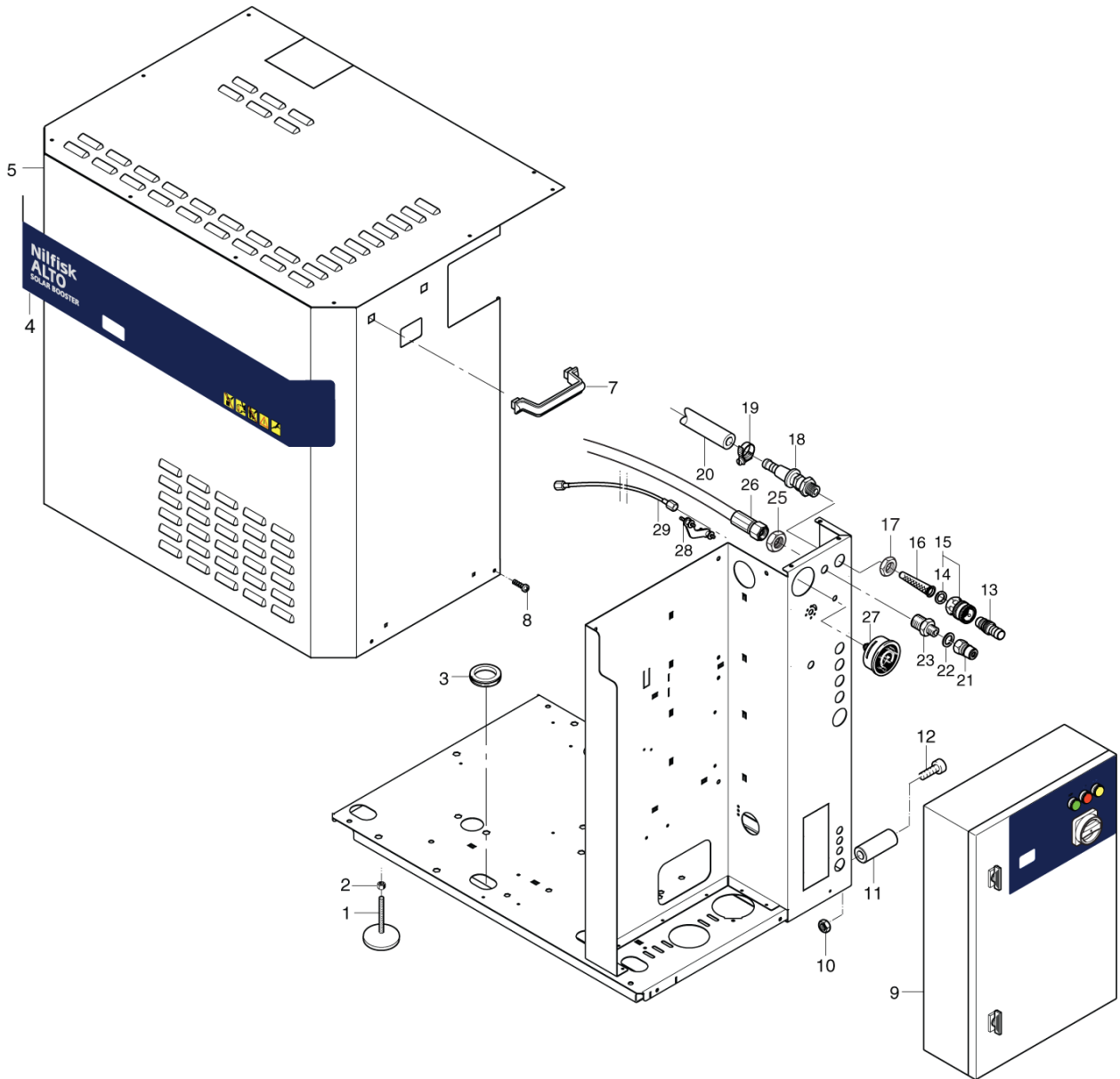
PARTS LIST



2017.06.07

TABLE OF CONTENTS

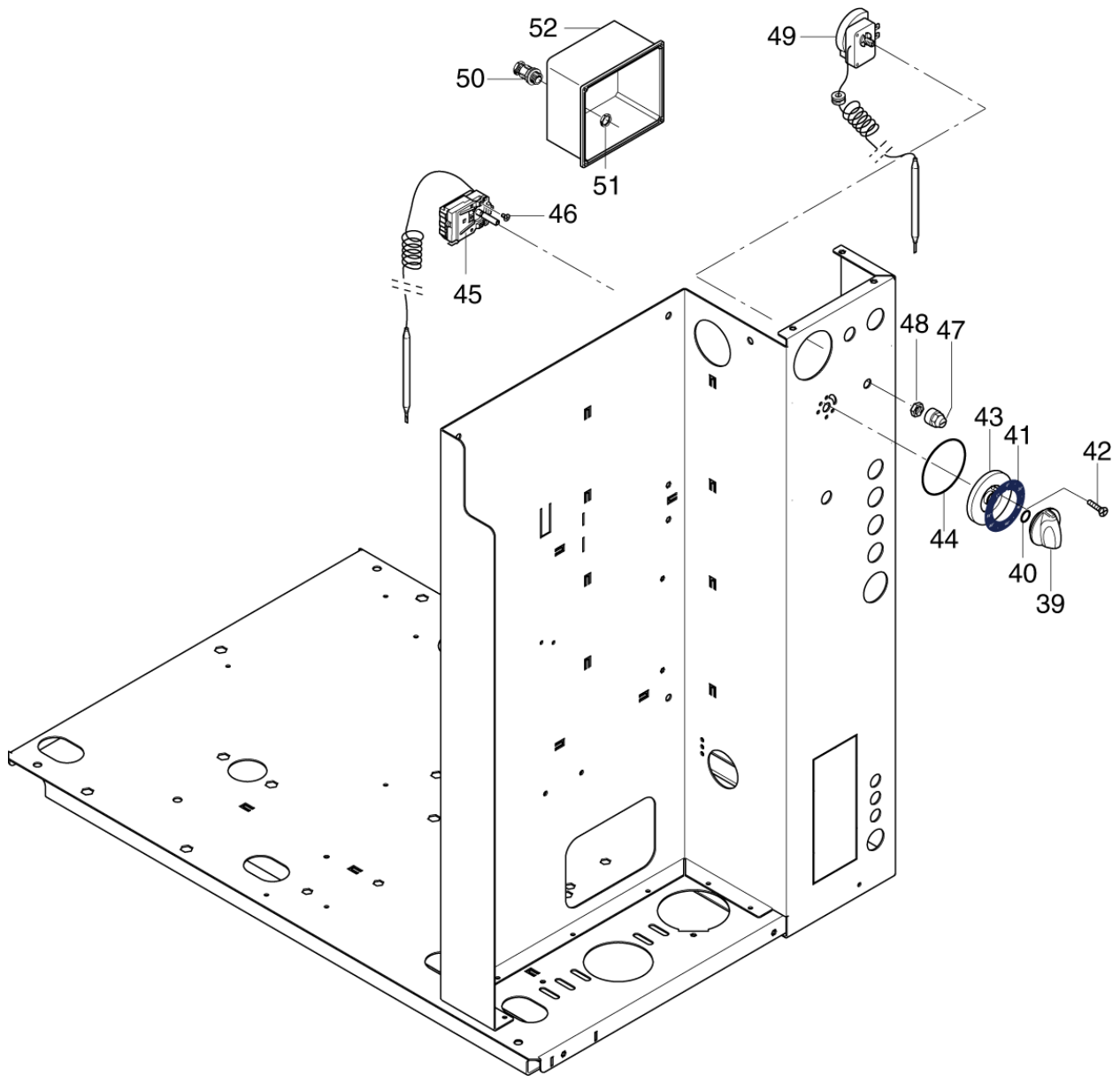
Overview 1	1
Overview 2	3
Electrical components 36H, 54H	5
Electrical components 18H	8
Unloader 7 (a)	10
Unloader 7 (b)	12
Connection plate 7	14
Cylinder block 7	16
Motor 7	18
Heating tank	21
Default accessories	23
OPTION Multiply machine connection box	25
OPTION Water inlet security	27
OPTION Automatic pressure release	29
OPTION No-scale	31
OPTION Remote control	33
OPTION 1x Detergent electric	35
OPTION 2x Detergent electric	37
OPTION 1x Manuel detergent - 5 and 7	39
Recommended spare parts	41



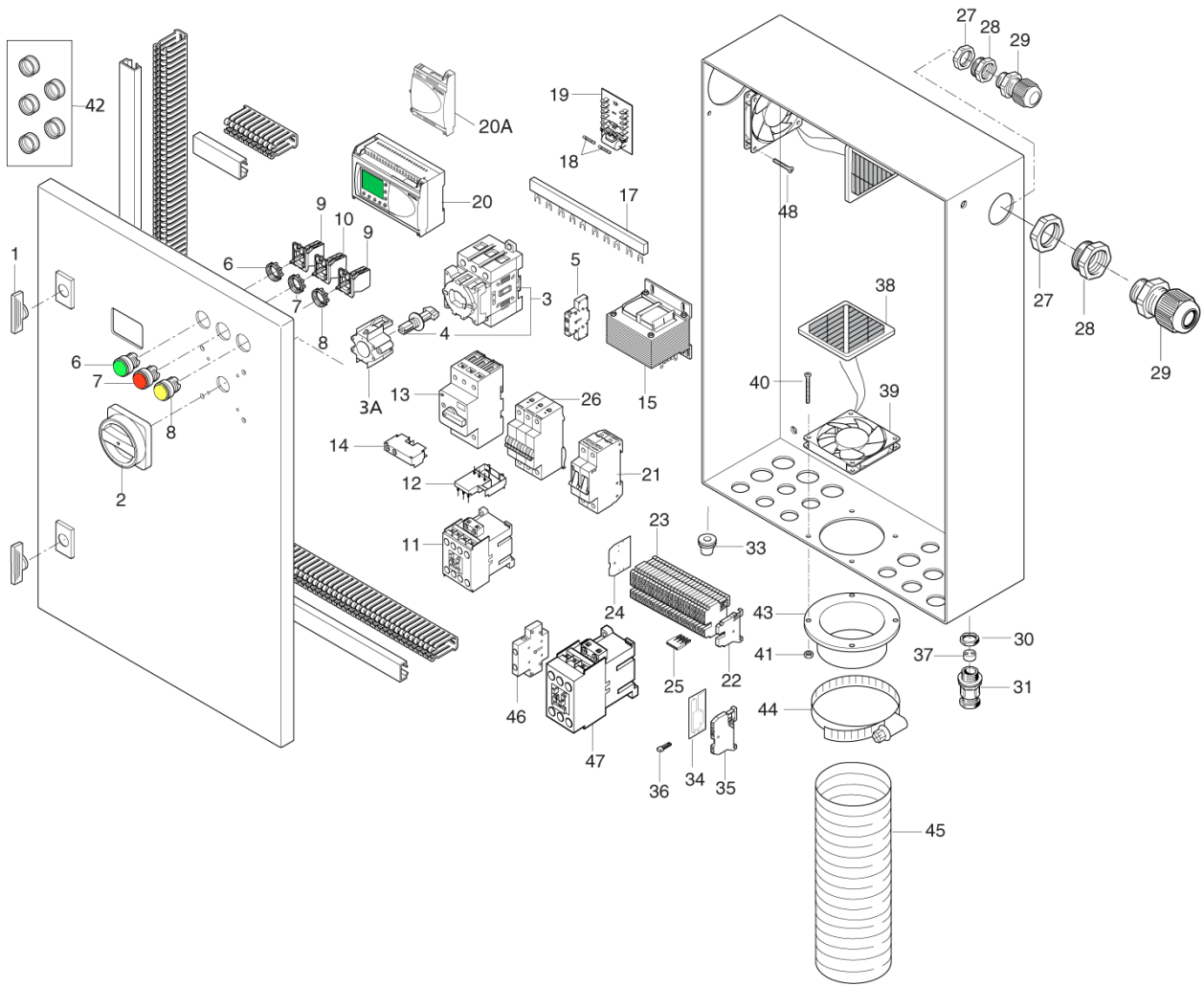
Pos.	Vare-nr	Antal	Beskrivelse	Notes
01	104601172	4	Supporting Block Ø60 M12X 70	
02	1810068	4	NUT M12	
03	103004331	5	SLEEVE PVC 45/ 60	
04	107319001	1	Front Label Solar Booster	
05	107318078	1	Kabinet	
07	107318079	1	HANDLE FOR CABINET	
08	101814686	5	Screw M5X16	[1]
09		1	El-box	[2]
10	1801905	3	Møtrik M8	
11	107318080	3	SPACER	
12	1812296	3	SCREW M8X25 STAINLESS	
13	1600659	1	KEW kobling slange-ende 3/4" han	
14	3001237	1	Pakning Ø24,5Xø16X3	
15	1602945	1	KEW kobling, indiv. gevind 3/4"	
16	6100941	1	Filter	
17	1800341	1	"Kontramøtrik 3/4"" "	
18	6100937	1	Filterhus	
19	1810191	2	Spændebånd 13-27 A4 (SS)	
20	107318087	1	Slange 5/8 2M	
21	1603101	1	Ergo højtryksskobling DN10 RF han	
22	1801075	1	Tætningskive 3/8"	
23	6200484	1	Skotforskrining	
24	1810076	1	TOOTHED WASHER J M18	
25	1803220	1	Kontramøtrik M18X1,5	
26	107318088	1	HIGH PRESSURE HOSE DN8	
27	3600301	1	Manometer	
28	1808088	1	Spændestykke F. Manometer	
29	102406647	1	Slange	

Part Notes:

- [1] - STOCK COVERS GUARANTEE
- [2] - El-box
See Electric parts 18Hor Electric parts 36H, 54H



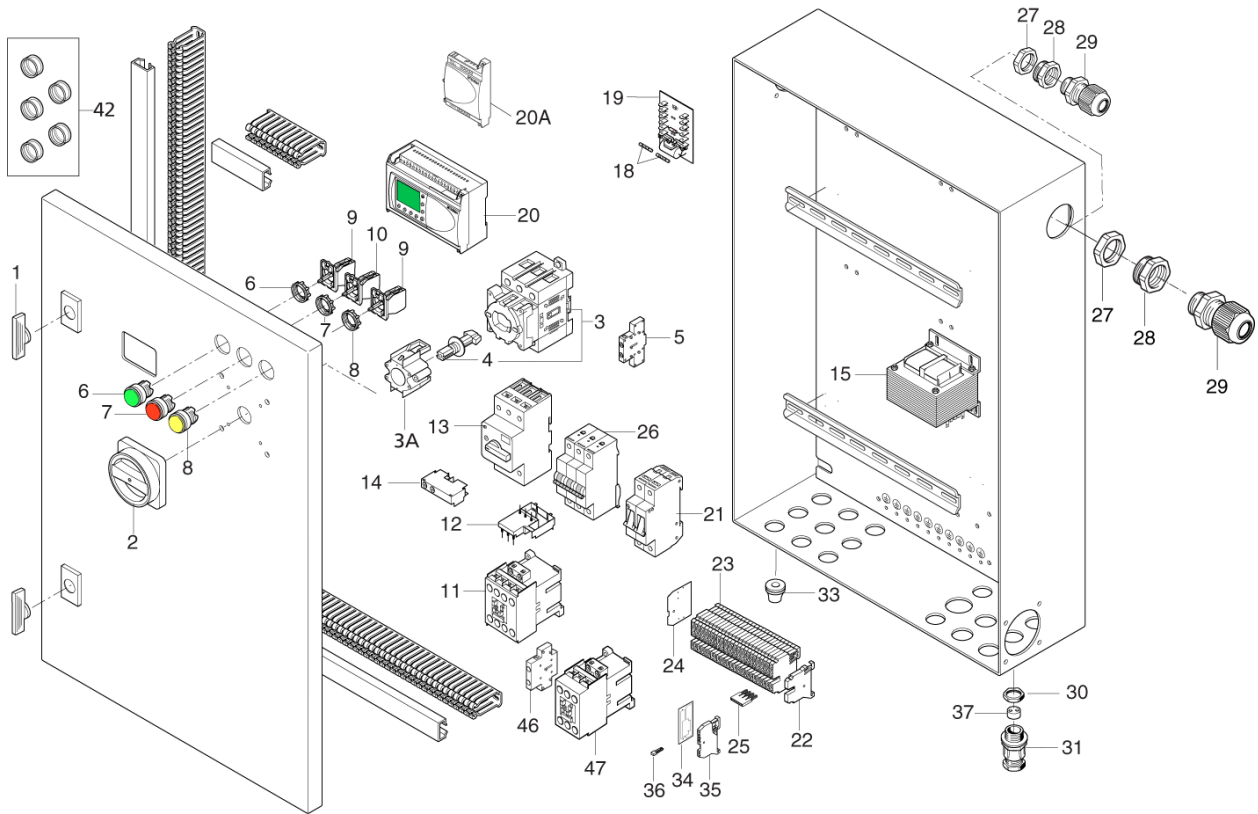
Pos.	Vare-nr	Antal	Beskrivelse	Notes
39	909100204	1	Drejeknap	
40	9868	1	O-ring 10.0X2.5	
41	107319071	1	LABEL TEMP. SCALA E18H	
42	1801612	2	Maskinskrue M4X6	
43	107313045	1	Sokkel For Drejeknap (Ter Mo)	
44	3001443	1	O-RING 60.0X2.62 NITRIL 70SH	
45	107318150	1	Termostat 0-85	
46	1801612	2	Maskinskrue M4X6	
47	34970	1	CAP	
48	47313	1	NUT M10X1X3	
49	103822046	1	Sikkerh.Termostat 97/1750	
50	103821788	1	CABLE BUSHING	
51	103821789	1	NUT M12X1.5 PA	
52	107318085	1	COVER FOR EL-BOX SOLAR E	



Pos.	Vare-nr	Antal	Beskrivelse	Notes
01	103821959	2	Key	
02	3830121	1	Greb for hovedafbryder	
03	103821895	1	Kontakt, 100A	
03	103821908	1	MAIN SWITCH 63A	
03A	103821907	3	SHAFT FOR MAIN SWITCH 194L-G2853	
04	103821961	1	Aksel For Kontakt, 100A	
05	107318225	1	AUXILIARY CONTACT 194E-A-PD10	
06	103821823	1	Lampekontakt, Grøn	
07	103821824	1	Signal Light Atteachment, Red	
08	103821900	1	SIGNAL LIGHT ATTACHMENT YELLOW	
09	103821825	2	Lampekontakt, Krop-Slutte	
10	103821826	1	Lampekontakt, Krop-Bryde	
11	103822317	1	Contacto Cjx2-D32-B7 24V	
11	103822306	1	Contacto Cjx2-D18-B7 24V	
12	103821899	1	CONNECTION MODUL 16/23AMP	
13	103821898	1	Relæ, 10-16A	[1]
13	3817319	1	Maximalafbryder 3-25-16	[2]
14	103821929	1	AUXILIARY CONTACT 140M-C-AFA01	
15	103821847	1	CONTROL TRANSFORMER 230V 24/19	
15	103821846	1	Sikkerhedstranf. 400V	
17	107318106	1	JUMPER RAIL 9-MODULE	[3]
17	107318105	1	JUMPER RAIL 6-MODULE	[4]
18	3812385	2	Sikring Ø5X20	
19	106420051	1	Circuit Board	
20	106426055	1	PLC M/ALTO-PROGRAM SOLAR E	
20A	103821948	1	EXPANDER AL2-4EYR	
21	103821905	1	SAFETY DEVICE 2 POL 6A	
22	103821922	6	DIN-END STOP WO/SCREW WAGO 249-116	
23	103821920	27	WIRE TERMINAL	
24	103821921	1	END PLATE	
25	103821924	2	JUMPER 4-POL.	
26	107318096	3	SAFETY DEVICE 3P 32A 10KA	[5]
27	103821842	1	Møtrik M40X1.5	
27	103821832	1	NUT M25X1.5 PA/L GREY	[6]
28	103821874	1	REDUCTION M40/M25	
29	103821872	1	CABLE BUSHING M40X1.5	[6]
29	103821831	1	Kabelbøsning	
30	103821778	4	NUT M20X1.5	
31	103821785	4	CABLE BUSHING	
33	3803780	9	Pakdåse Tet 10-14C	
34	103821968	1	Endeplade Wago 4Q	
35	103821967	6	WIRE TERMINAL WAGO281 800V 4MM2	
36	103821969	2	Laske Wago 4Q	
37	103821942	1	INSERT 2X4	
37	103821946	1	INSERT 3X6.5	
38	107318098	2	Filter Cover For Fan	
39	107318099	2	Fan 80X80X20 24V	
40	107318103	4	SCREW M4X40 DIN965-A	
41	1800127	8	Låsemøtrik M4	
42	107318028	1	Protection Cover 5 Pcs.	
43	107318100	1	Flange For EI-Box	
44	107318102	1	Hose Clamp 71-95 Mm	
45	107318101	1	Flexible Hos Ø90 L 250 Mm	
46	3821748	1	Hjælpekontakt Ab 100-Sb10	[2]
47	103822317	3	Contacto Cjx2-D32-B7 24V	[5]
48	107318083	4	SCREW M4X35 DIN965-A 4X	

Part Notes:

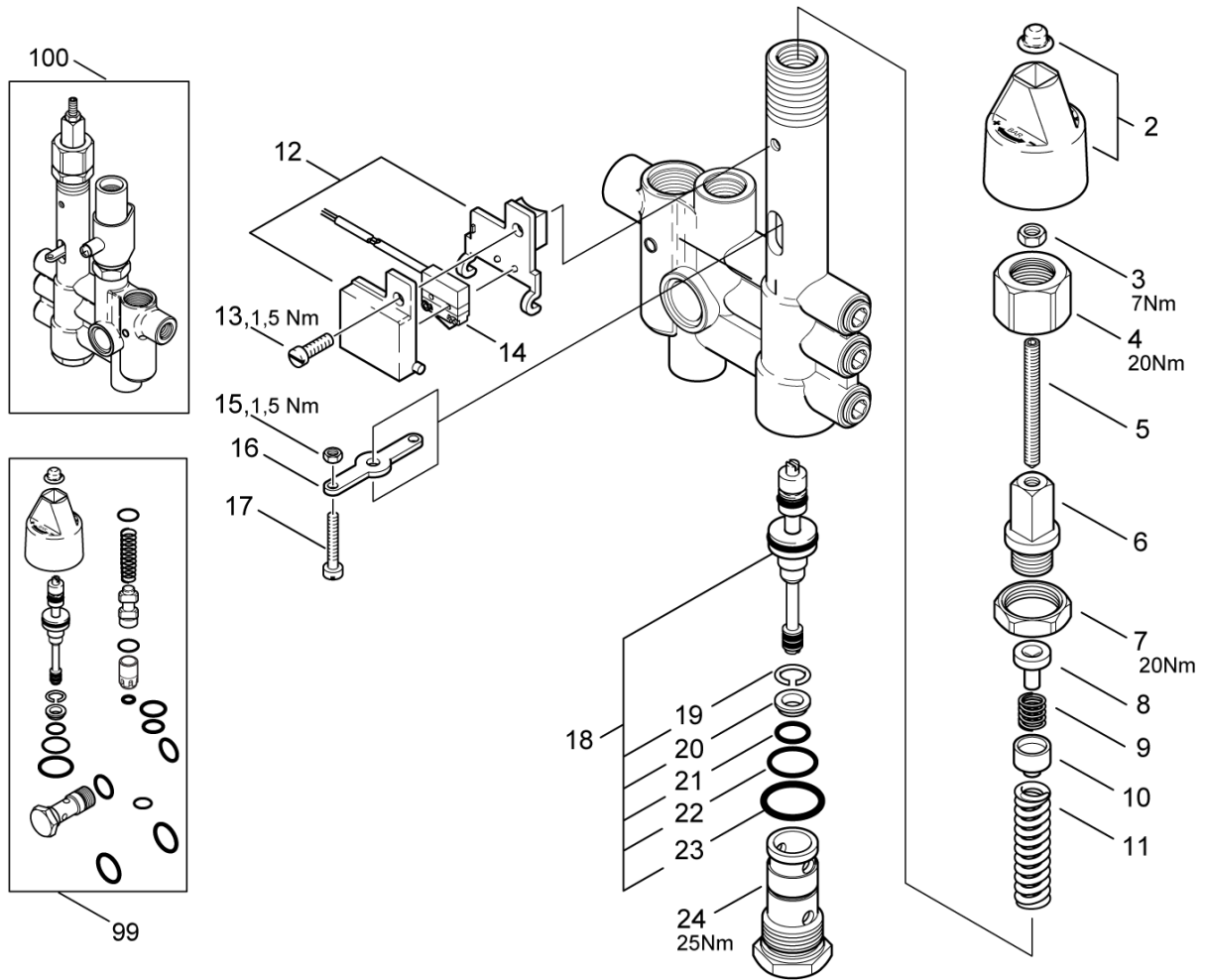
- [1] - From week 34 2009
- [2] - Up to week 34 2009
- [3] - 54H
- [4] - 36H
- [5] - 2 pcs. 36H, 3 pcs. 54H
- [6] - OPTION



Pos.	Vare-nr	Antal	Beskrivelse	Notes
01	103821959	1	Key	
02	3830121	1	Greb for hovedafbryder	
03	103821908	1	MAIN SWITCH 63A	
03A	103821907	3	SHAFT FOR MAIN SWITCH 194L-G2853	
04	103821961	1	Aksel For Kontakt, 100A	
05	107318225	1	AUXILIARY CONTACT 194E-A-PD10	
06	103821823	1	Lampekontakt, Grøn	
07	103821824	1	Signal Light Atteachment, Red	
08	103821900	1	SIGNAL LIGHT ATTACHMENT YELLOW	
09	103821825	1	Lampekontakt, Krop-Slutte	
10	103821826	1	Lampekontakt, Krop-Bryde	
11	103822317	1	Contactora Cjx2-D32-B7 24V	
11	103822306	1	Contactora Cjx2-D18-B7 24V	
12	103821899	1	CONNECTION MODUL 16/23AMP	
13	103821898	1	Relæ, 10-16A	[1]
13	3817319	1	Maximalafbryder 3-25-16	[2]
14	103821929	1	AUXILIARY CONTACT 140M-C-AFA01	
15	103821846	1	Sikkerhedstranf. 400V	
18	3812385	1	Sikring Ø5X20	
19	106420051	1	Circuit Board	
20	106426055	1	PLC M/ALTO-PROGRAM SOLAR E	
20A	103821948	1	EXPANDER AL2-4EYR	
21	103821905	1	SAFETY DEVICE 2 POL 6A	
22	103821922	6	DIN-END STOP WO/SCREW WAGO 249-116	
23	103821920	27	WIRE TERMINAL	
24	103821921	1	END PLATE	
25	103821924	2	JUMPER 4-POL.	
26	107318096	1	SAFETY DEVICE 3P 32A 10KA	
27	103821832	1	NUT M25X1.5 PA/L GREY	[3]
27	103821842	1	Møtrik M40X1,5	
28	103821874	1	REDUCTION M40/M25	
29	103821831	1	Kabelbøsning	
29	103821872	1	CABLE BUSHING M40X1.5	[3]
30	103821778	4	NUT M20X1.5	
31	103821785	4	CABLE BUSHING	
33	3803780	9	Pakdåse Tet 10-14C	
34	103821968	1	Endeplade Wago 4Q	
35	103821967	6	WIRE TERMINAL WAGO281 800V 4MM2	
36	103821969	2	Laske Wago 4Q	
37	103821942	1	INSERT 2X4	
37	103821946	1	INSERT 3X6.5	
42	107318028	1	Protection Cover 5 Pcs.	
46	3821748	1	Hjælpekontakt Ab 100-Sb10	[2]
47	103822317	1	Contactora Cjx2-D32-B7 24V	

Part Notes:

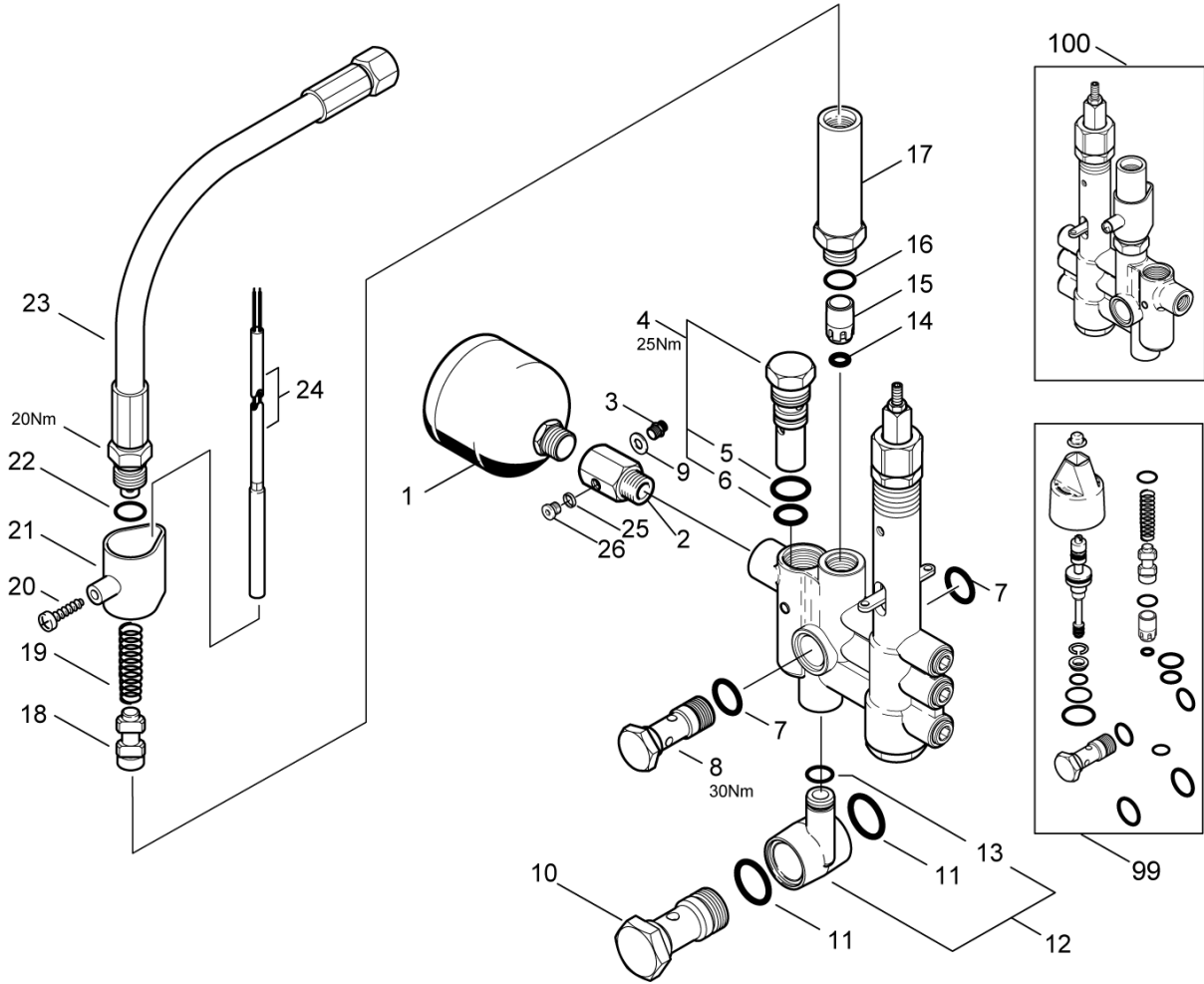
- [1] - From week 34 2009
- [2] - Up to week 34 2009
- [3] - OPTION



Pos.	Vare-nr	Antal	Beskrivelse	Notes
02	62397	1	Drejeknap	[1]
03	3136	1	Møtrik	[2]
04	62710	1	Omløber	[2]
05	62711	1	Gevindstift	[2]
06	62712	1	Justerskrue	[2]
07	62696	1	Møtrik	[2]
08	62695	1	Fjederstyr	[2]
09	62713	1	Fjeder	[2]
10	62694	1	Sæde	[2]
100	301000903	1	Omløbsventil Kompl. 3Ph	[3]
11	40972	1	Fjeder	[2]
12	62401	1	Hus til microswitch	
13	3349	1	Skruer	
14	301000731	1	Mikrokontakt	
15	2759	1	Møtrik M8	
16	62717	1	Kontaktbeslag	[2]
17	101117739	1	SCREW HEX M4X22-8.8 A2K DIN912	
18	64314	1	Reparationskit ventilstempel	[4]
19	909100001	1	Låsering	[4]
20	62708	1	Ventilsæde	[4]
21	49461	1	O-Ring	[4]
22	9523	1	O-Ring	[4]
23	32091	1	O-Ring	[4]
24	64301	1	Banjo Bolt	[2]
99	301001195	1	Rep. Sæt Omløbsventil	[5]
99	63056	1	Rep.Sæt Omløbsventil	[6]

Part Notes:

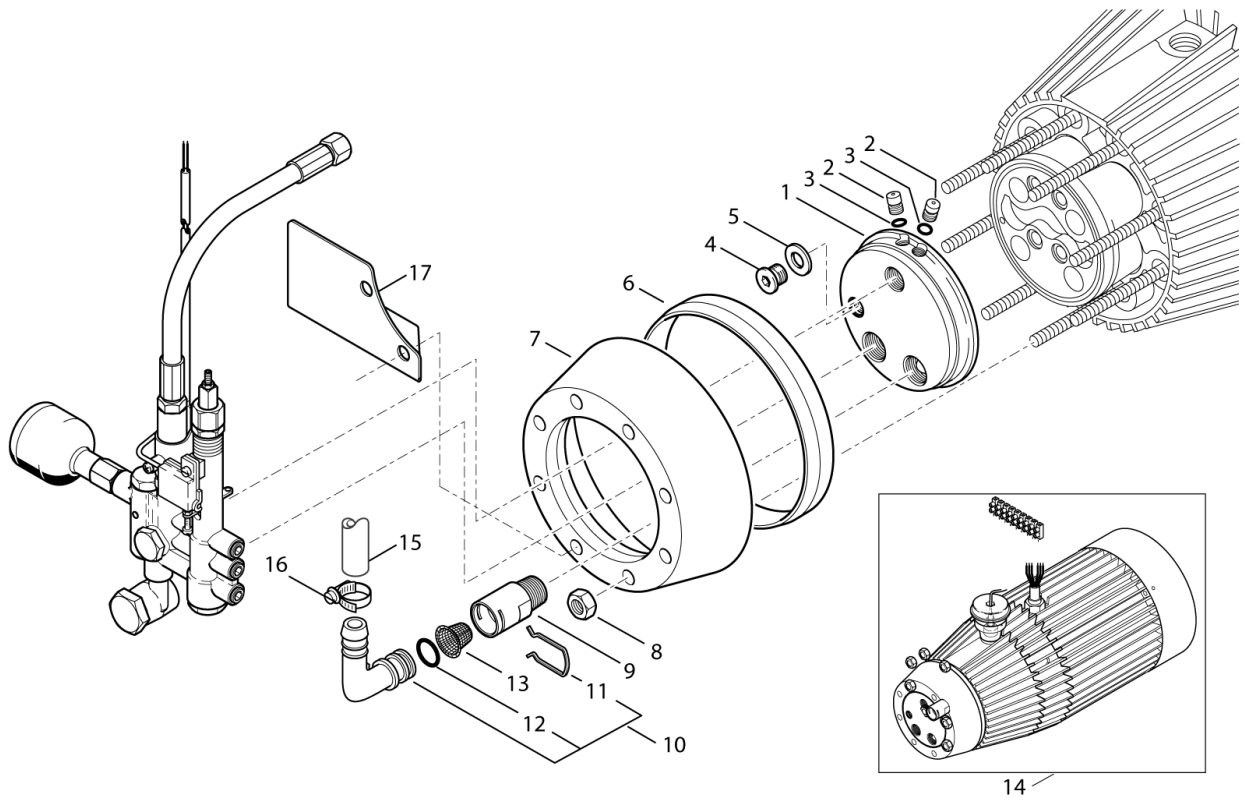
- [1] - part of pos. 99
- [2] - part of pos. 100
- [3] - 250BAR
- [4] - part of pos. 99 and 100
- [5] - 51, 57
- [6] - 37



Pos.	Vare-nr	Antal	Beskrivelse	Notes
01	63090	1	Trykudligner	
02	107312001	1	Socket	
03	1821	1	Fitting	
04	301000911	1	Sikkerhedsventil	[1]
04	62730	1	Sikkerhedsventil 200Bar	[2]
05	16443	1	O-ring	[3]
06	62706	1	O-Ring	[3]
07	16443	2	O-ring	[3]
08	62697	1	Banjo Bolt	[3]
09	101814735	1	"Tætn.Skive 1/8""Pp45C Bond "	
10	107121503	1	Banjo Bolt, Inlet	
100	301000903	1	Omløbsventil Kompl. 3Ph	[4]
11	24347	2	O-ring	[5]
12	63058	1	Tilslutningsstykke	
13	13739	1	O-ring	[3]
14	56519	1	O-Ring	[6]
15	301000905	1	Stempel	[6]
16	16998	1	O-Ring	[6]
17	62722	1	Hus	[7]
18	63538	1	Kontakt Stempel	[8]
18	57571	1	Kontaktstempel	[9]
19	6231	1	Fjeder	[3]
20	10028	1	Skrue	[10]
21	62399	1	Holder	[11]
22	62706	1	O-Ring	[3]
23	101406030	1	High Pressure Hose	
24	301002458	1	Reed Contact	
25	101814735	1	"Tætn.Skive 1/8""Pp45C Bond "	
26	4443	1	PLUG	
99	63056	1	Rep.Sæt Omløbsventil	[2]
99	301001195	1	Rep. Sæt Omløbsventil	[12]

Part Notes:

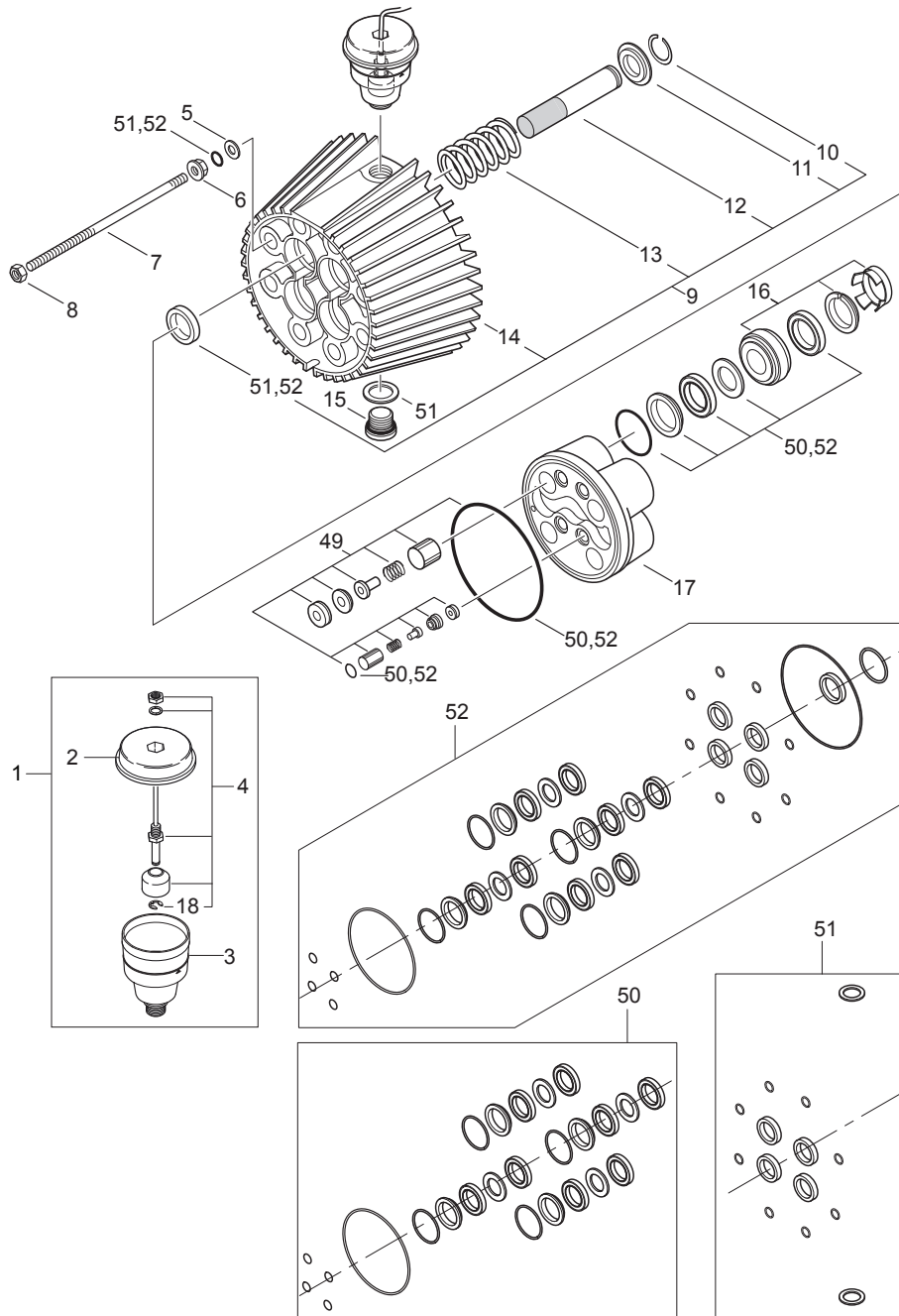
- [1] - 51,57
- [2] - 37
- [3] - part of pos. 99
- [4] - 250BAR
- [5] - part of pos. 99
PLEASE CONTACT CARWASH DIRECTLY
- [6] - part of pos. 99 and 100
- [7] - part of pos. 100
- [8] - part of pos. 99 for 51,57
- [9] - part of pos. 99 for 37
- [10] - part of pos 100
- [11] - part of pos.100
- [12] - 51, 57



Pos.	Vare-nr	Antal	Beskrivelse	Notes
01	107121500	1	Mellemlade	
02	107121501	2	Prop	
03	3000270	2	O-Ring 5,1X1,6 Nitril	
04	6180660	1	"Stik 1/8"" "	
05	3001740	1	O-Ring 7,66X1,78 Nitril	
06	6301392	1	Ring F. Motorpumpeenhed	
07	6100602	1	Spændering	
08	1800465	8	Møtrik M10	
09	107121502	1	Tilgangsstuds	
10	1119210	1	Rep. sæt tilgangsvinkel	
11	6180661	1	SPRING LOCK FOR BY-PASS VALVE	
12	3004226	1	O-Ring D13X3	
13	107312039	1	Filter	
14	107310010	1	Motorpumpeenhed	[1]
14	107310001	1	Motor Pump Unit	[2]
14	107310000	1	Motorpumpeenhed	[3]
14	107310002	1	MOTOR PUMP UNIT SOLAR	[4]
15	107318087	1	Slange 5/8 2M	
16	8298	1	Spændebånd	
17	107318139	1	BRACKET FOR C3	

Part Notes:

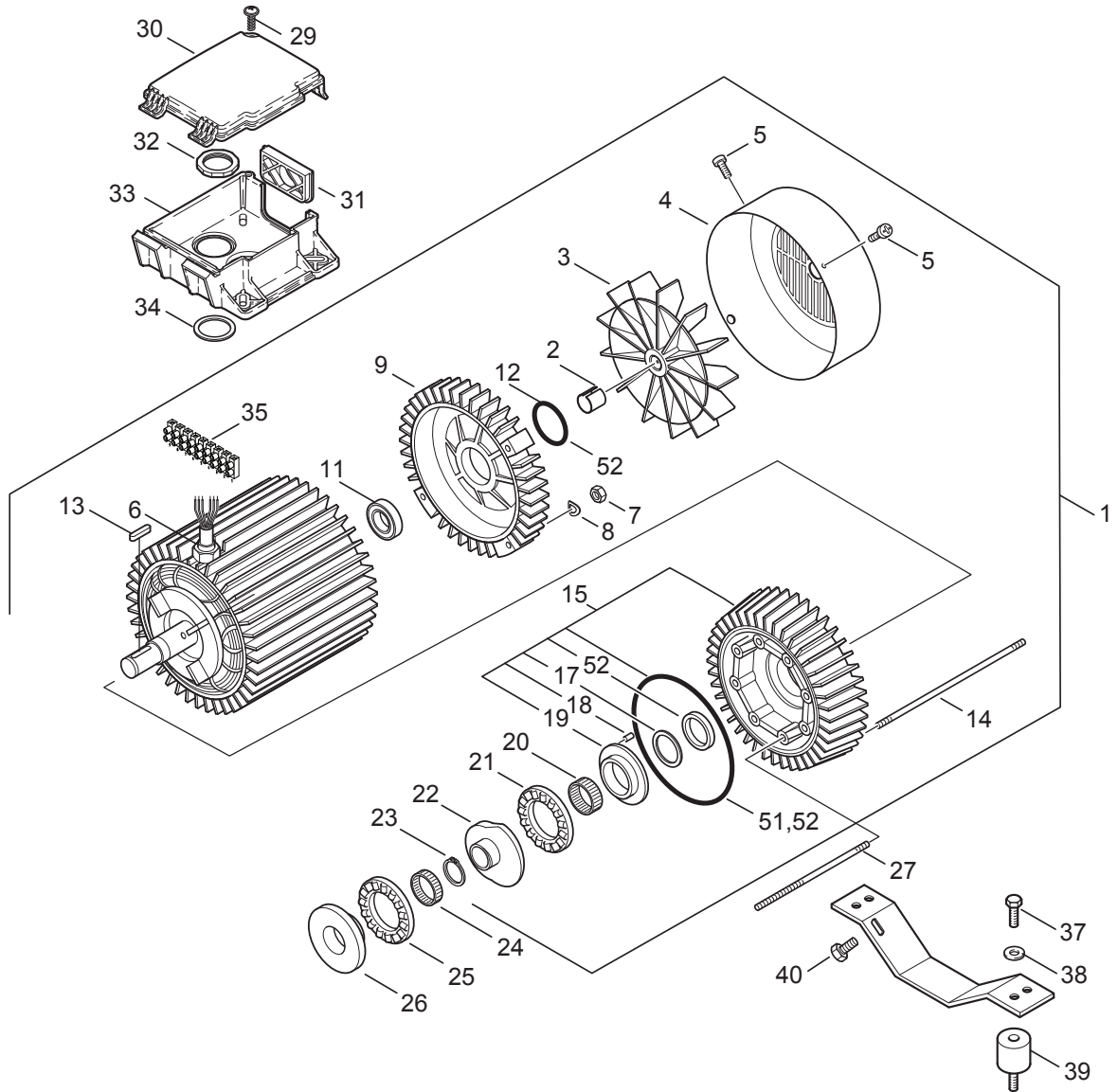
- [1] - for 7-63D
- [2] - for 7-51D, 7-51GH and 7-52GH
- [3] - for 7-57 and 7-58D, 7-58E, 7-58G
- [4] - for 7-37E and 7-38E



Pos.	Vare-nr	Antal	Beskrivelse	Notes
0-	5218433	1	Pumpeolie ISO 150 (1 liter)	[1]
1	301000616	1	Level Indicator, Pump Oil	
2	301000615	1	Dæksel	
3	301000614	1	Oliebeholder	
4	301001196	1	Float Switch	
5	6100718	8	Skive F. Stagbolt	
6	6100719	8	Trykring	
7	6301368	8	Stagbolt	
8	1800465	8	Møtrik M10	
9	6300071	1	Cylinderblok Komp.	
10	1802529	4	Seeger Springring	
11	6100666	4	Ring til returfjeder	
12	6301166	4	Trykstempel keramik C3	
13	102602517	4	Returfjeder C3K	
14	6100610	1	Cylinderblok	
15	6150400	1	Bundprop	
16	101119850	4	Rep.Sæt Trykring/Back-Up	
17	107120701	1	Cylinder	
18	107142593	1	HOLDING WASHER PE	[2]
49	1119195	1	Rep. sæt ventilsystem	
50	1119571	1	Rep. sæt (pakningssæt, reduceret)	[3]
51	1119820	1	Rep. sæt olietætning 03	
52	1119570	1	Rep. sæt pakninger C3	[3]

Part Notes:

- [1] - 1,1 l - OIL TYPES_QUANTITY for HPW_APRIL 2017
- [2] - TSB-PPW-2016-017 Locking ring for oil level switch falling off
- [3] - TSB-PPW-2016-011 Rep kit 1119571 and 1119570 potential have wrong O-ring in kit
DE TSB-PPW-2016-011 Rep Kit 1119571 und 1119570 beinhalten möglicherweise einen falschen O-Ring

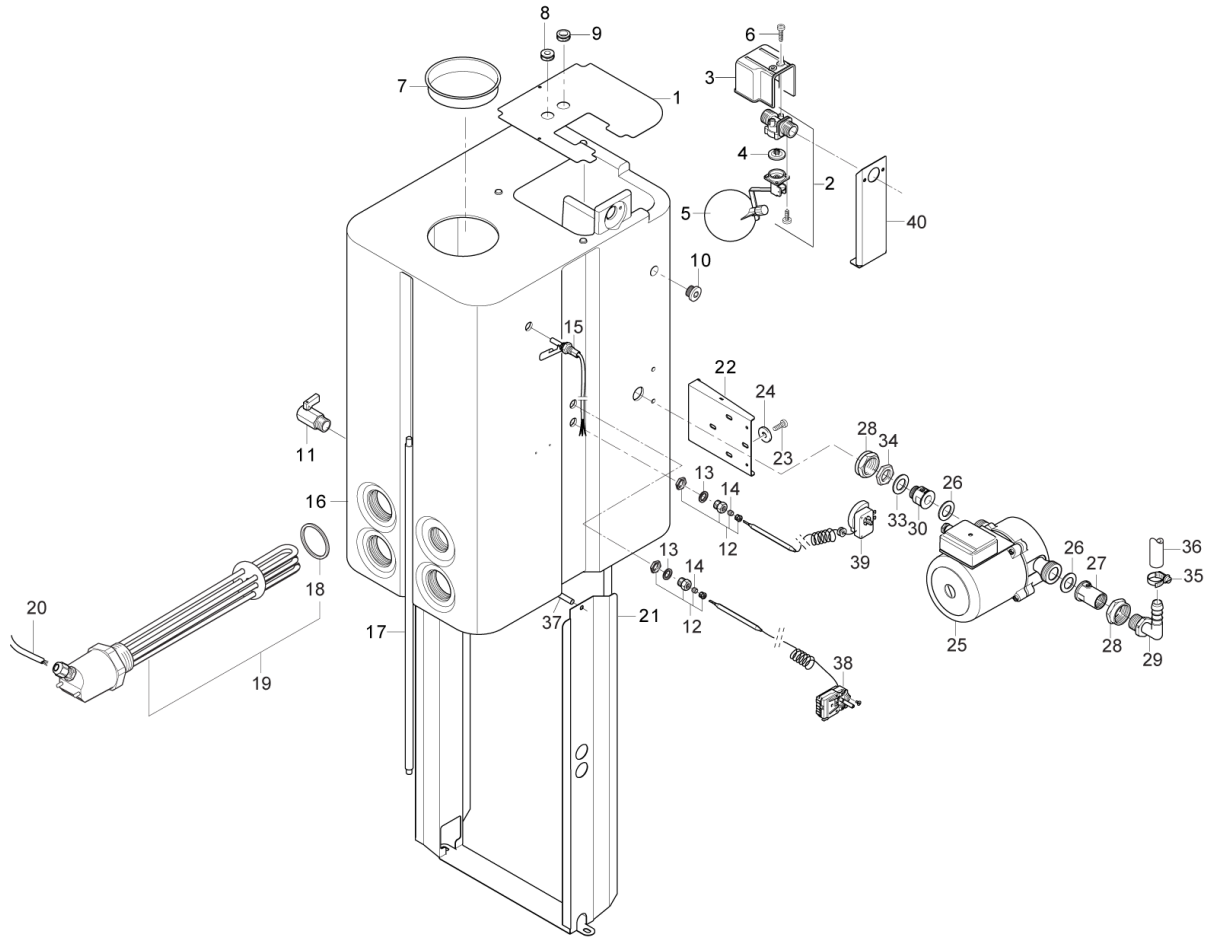


Pos.	Vare-nr	Antal	Beskrivelse	Notes
1	107310070	1	MOTOR 6.5KW 400-415.230/3/50	[1]
1	107310072	1	MOTOR 5.5KW 400-415.230/3/50	[2]
1	107310071	1	MOTOR 5.5KW 400-415.230/3/50	[3]
2	1802503	1	Låsering Ø25 x Ø25	
3	107142275	1	FAN AND RETAINING RING	[4]
3	6100607	1	Ventilatorvinge m. lås	[5]
4	107142276	1	COVER FOR FAN	[4]
4	6100609	1	Ventilatorskærm	[6]
5	101814693	4	SCREW M4X 8 EE DIN 7500 A2	
7	2758	4	Møtrik M8	
8	1801182	4	Fjederskive M8	
9	6100611	1	N-Lejedæksel	[7]
9	107140617	1	Rear Bearing Cover	[8]
9	107142277	1	REAR BEARING COVER	[4]
11	3200623	1	Leje	
12	107318244	1	O-RING 51.6X2.4 NBR70	
13	3200672	1	Feder	
14	6100711	8	Stagbolt F. Statorhus	
14	6100712	8	Stagbolt F. Statorhus	[9]
15	6101750	1	D-Lejedæksel Komp. 03	[10]
15	107140615	1	Front Bearing Cover Compl Ete	[11]
17	6100995	1	Skive	
18	6100996	1	Styrestift	
19	107120703	1	Lejeskive	
20	3200656	1	Nåleleje Ina K 40X46X17	
21	3200615	1	Rulleleje	
22	107120708	1	Skråskive 4	[12]
22	107120716	1	Skråskive 12	[13]
22	107120714	1	Skråskive 10	[14]
22	107120707	1	Skråskive 3	[15]
23	1802511	1	Seegerring U 28 X 1,5	
24	3200664	1	Nåleleje	
25	3200615	1	Rulleleje	
26	107120704	1	Lejeskive	
27	6301368	8	Stagbolt	
29	10028	1	Skruer	
30	301000782	1	Dæksel	
31	17106	1	Indsats	
32	20862	1	Møtrik	
33	301000781	1	Elkasse	
34	103004340	1	Pakning	
35	101117839	1	Terminal Plug And Termina L Pins	
37	1803089	4	SCREW INSEX M8X12	
38	1800317	4	Underlagsskive Encore 26/28/30	
39	107318091	4	VIBRATION DAMPER M8	
40	1802651	2	Taptite Skrue M10X25	
51	1119820	1	Rep. sæt olietætning 03	
52	1119570	1	Rep. sæt pakninger C3	

Part Notes:

- [1] - 7-58D / 170/1200D
7-58E / 170/1200E
7-58G / 170/1200G7-66D (DISC no. 12)TSB-PPW-2011-013 C3 Pump information
- [2] - 7-38E / 135/875E (DISC no. 3)
- [3] - 7-52GH / 150/1100GH(DISC no. 10)
- [4] - RF – has Nilfisk letter on the motor type plate
- [5] - EME with 2 holes EME – has EME letter on the motor type plate
- [6] - EME – has EME letter on the motor type plate

- [7] - Up to week 32 2009 (ATB)
- [8] - From week 32 2009 EME – has EME letter on the motor type plate
- [9] - STOCK COVERS GUARANTEE
- [10] - Up to week 32 2009 (ATB) - TSB-PPW-2011-013 C3 Pump informationTSB-PPW-2011-013 C3 Pump information
- [11] - From week 32 2009 RF – has Nilfisk letter on the motor type plateTSB-PPW-2011-013 C3 Pump information
- [12] - 5,5kW 440,220/3/60
- [13] - 6,5kW 400,230/3/50
- [14] - 5,5kW-1030 400,230/3/50
- [15] - 5,5kW-810 400,230/3/50



Pos.	Vare-nr	Antal	Beskrivelse	Notes
01	107318114	1	COVER FOR WATERTANK	
02	63871	1	FLOAT VALVE 3/4 DN10 SS MAX 90 DEGR C	
03	34240	1	Afdækning	[1]
04	17379	1	MEMBRANE A20	
05		1	Ball not available	
06	16860	2	Skrue 4x12	
07	104601176	1	CONIC DBI-DUT NO. 127C RED	
08	5172	1	RUBBER BUSH	
09	3001427	1	Kabelgennemføring	
10	G181419	1	"Prop 1/2""Rg"	
11	3400819	1	Kuglehane	
12	107318000	2	Threaded Connection	
13	1801075	2	Tætningskive 3/8"	
14	101609437	2	CONE RING 8MM	
15	3817582	1	Niveauføler, Mps	
16	107318107	1	HEATING TANK	
17	107318108	2	Side Support	
18	107318109	1	O-ring 53.57X3.53 NITRIL 70 SH	[2]
19	107318110	1	Heating Element 18Kw	[2]
19	107318178	1	Varmelegeme 18KW 440V	[2]
20	107318111	1	CABLE FOR HEATING ELEMENT	[2]
21	107318112	1	BRACKET	
22	107318113	1	BRACKET FOR FEED PUMP	
23	1814706	4	SCREW	
24	1813807	4	Skive M6Xø18 Rf	
25	107318067	1	Fødepumpe 1X230 Up20-45 N 150	
26	103821954	2	GASKET	
27	101609354	1	UNION VALVE	
28	101609357	2	UNION NUT	
29	101609353	1	HOSE TAIL ELBOW 16X3/4 INCH	
30	107312000	1	SPACER	
33	2377	1	Packing Ring 27X38X2 It	
34	1800341	1	"Kontramøtrik 3/4"" "	
35	1810191	2	Spændebånd 13-27 A4 (SS)	
36	106408242	1	HOSE 5/8INCH - 2 METERS	
37	107318097	1	SUPPORT TUBE	
38	107318150	1	Termostat 0-85	
39	103822046	1	Sikkerh.Termostat 97/1750	
40	107318173	1	Brakett For Vann Tank	[3]

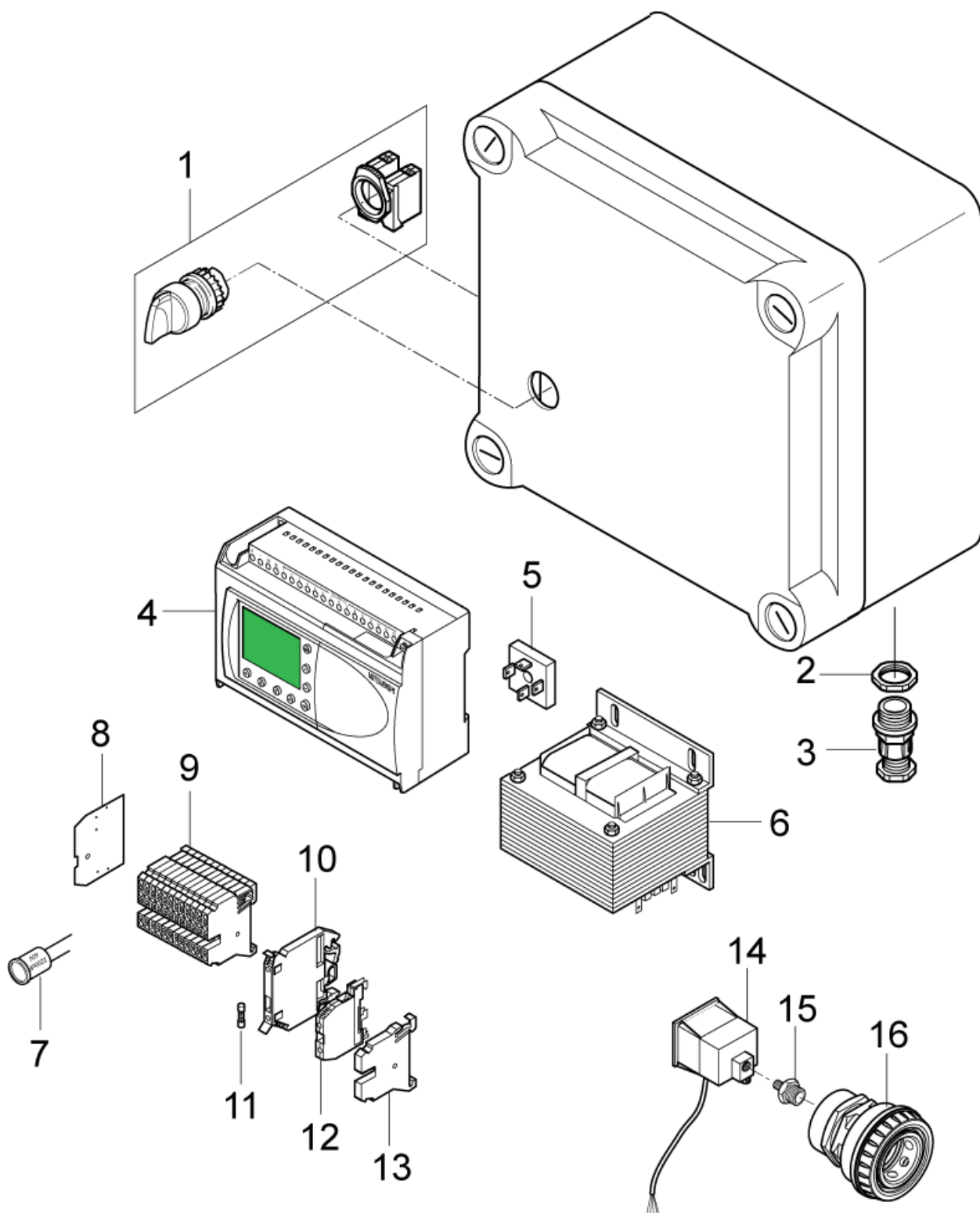
Part Notes:

- [1] - PLEASE CONTACT CARWASH DIRECTLY
- [2] - 2 pcs. 36H, 3 pcs. 54H
- [3] - TSB-PPW-2011-008 Bracket for Heating Tank

Pos.	Vare-nr	Antal	Beskrivelse	Notes
0-	101119742	1	Tornado Plus dyse 1/8" 0530 Rød	[1]
0-	101119747	1	Tornado Plus dyse 1/8" 0680 Grå	[2]
0-	107370955	1	Frostbeskyttelse Deluxe	[3]
0-	107370954	1	Frostbeskyttelse standard	[3]

Part Notes:

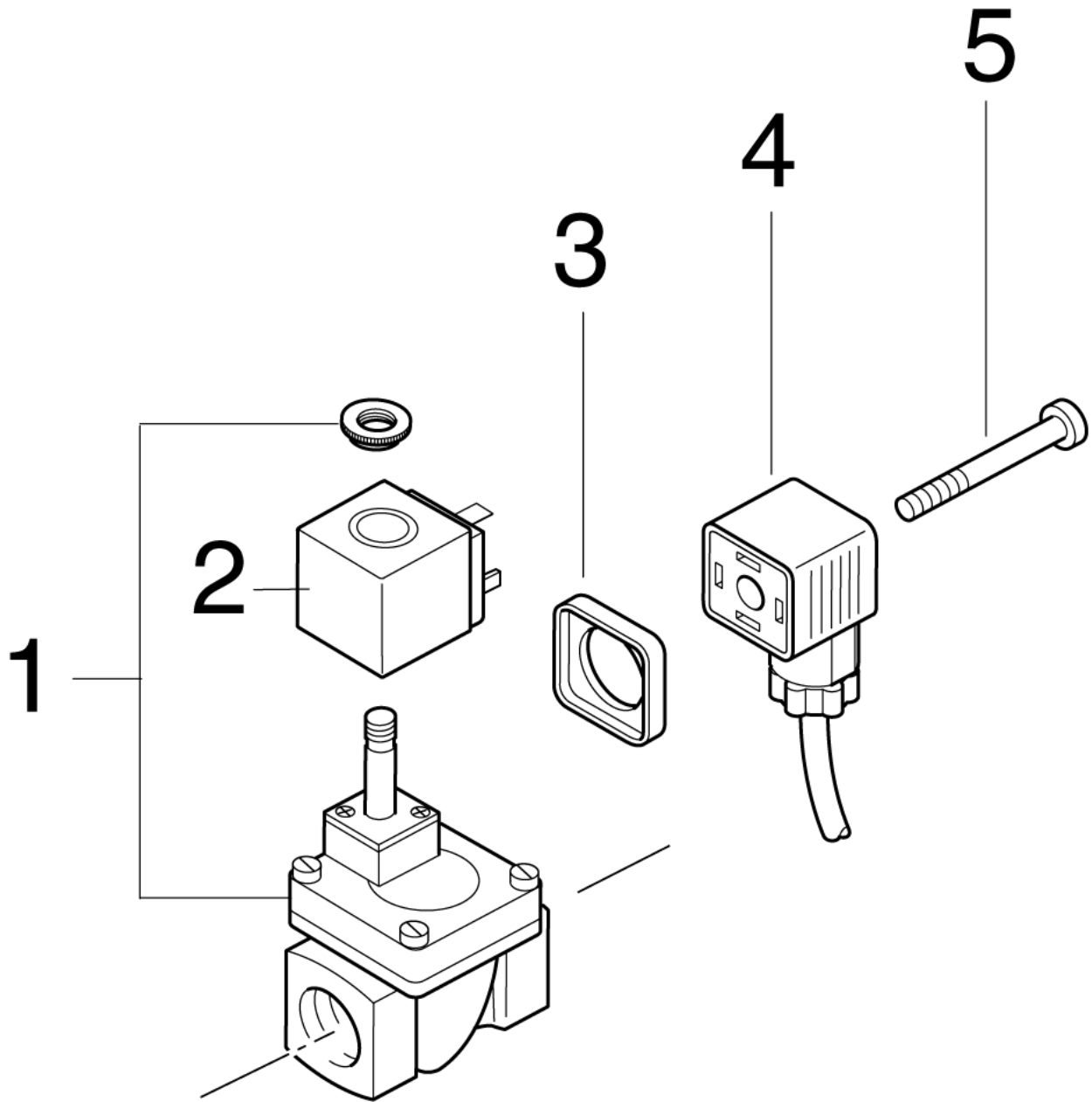
- [1] - 7-38E
- [2] - 7-58E
- [3] - Frost protection - ANTI FROST



Pos.	Vare-nr	Antal	Beskrivelse	Notes
00	107370964	1	Multiple Machine Option kit	
01	107318115	1	SWITCH WITH CONTACT	
02	103821789	5	NUT M12X1.5 PA	
03	103821788	5	CABLE BUSHING	
04	106426058	1	PLC M/ALTO-PROGRAM OPTION BOX	
05	22207	1	RECTIFIER	
06	103821844	1	CONTROL TRANSFORMER 230V 24/19	
07	29467	1	CAPACITOR 2200Ø F	
08	103821921	1	END PLATE	
09	103821920	12	WIRE TERMINAL	
10	4812281	1	FUSE HOLDER	
11	15846	1	Sikring 2,5A	[1]
12	107318117	2	EARTH TERMINAL	
13	103821922	1	DIN-END STOP WO/SCREW WAGO 249-116	
14	107306160	1	Pressostat Coded For 3Ph	
15	107318118	1	Fitting	
16	106402075	1	Ergo højtryk kobling DN10 3/8" hun	

Part Notes:

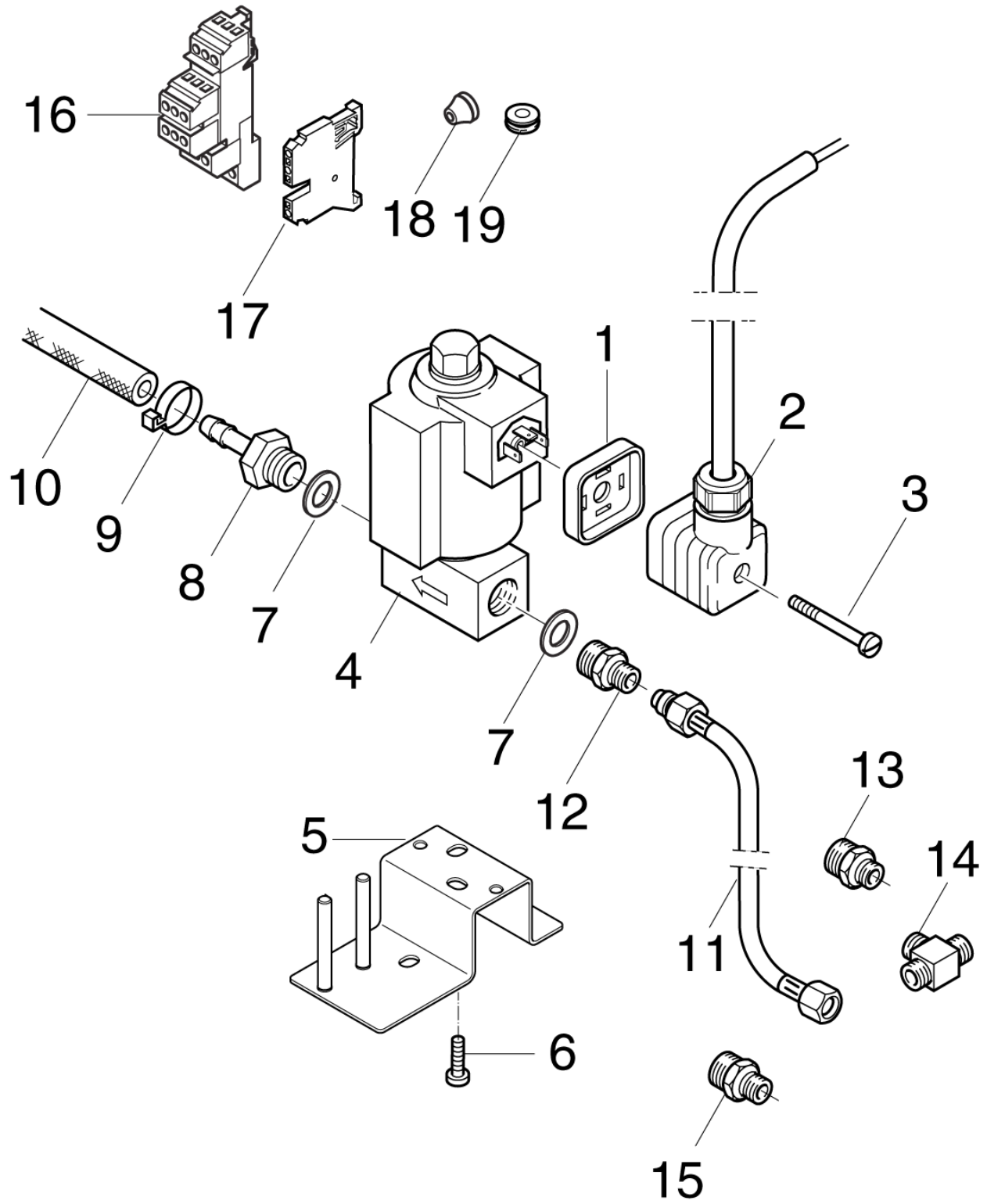
[1] - PLEASE CONTACT CARWASH DIRECTLY



Pos.	Vare-nr	Antal	Beskrivelse	Notes
0-	107340910	1	Sikring af tilgangsvand	
01	103821881	1	Ventil	
02	103821775	1	Coil 24Vdc 3 Watt	
03	17767	1	Pakning	[1]
04	3808144	1	AMP.SOCKET F. SOLENOID VALVE	
05	17768	1	Skrue M3X25	[1]

Part Notes:

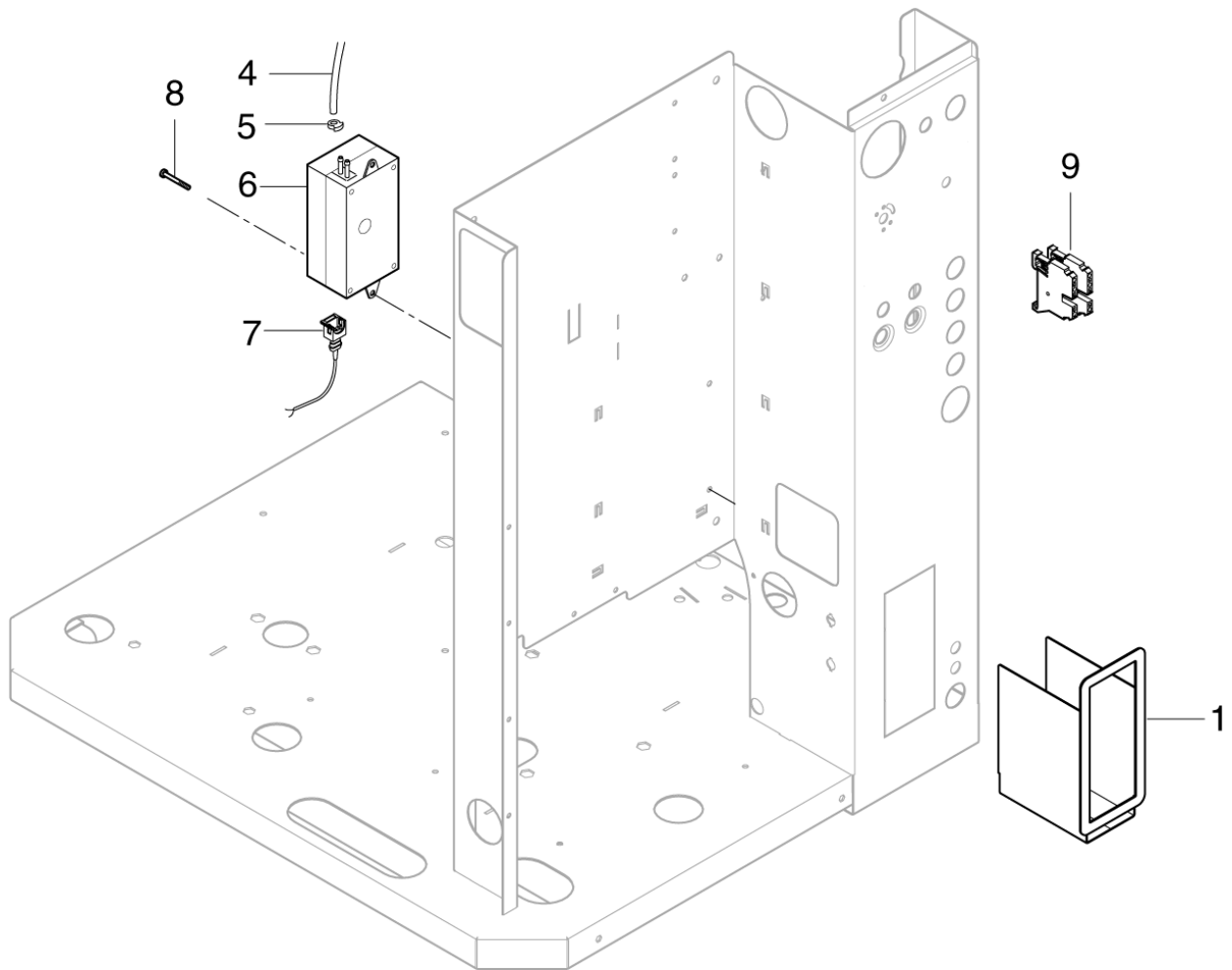
[1] - PLEASE CONTACT CARWASH DIRECTLY



Pos.	Vare-nr	Antal	Beskrivelse	Notes
0-	107370966	1	Trykafastning	
01	17767	1	Pakning	[1]
02	11693	1	Coupler 1,5 M	
03	17768	1	Skruer M3X25	[1]
04	53730	1	Magnetventil 24VDC	
05	107302160	1	SUPPORT FOR SOLENOID VALVE	
06	1804673	2	SET SCREW M6X8	
07	1803493	2	Tætningsskive f. 1/4" RG	
08	1608512	1	"Muffe 1/4""	
09	1807593	2	Spændebånd 6-16MM A2	
10	4973	1	HOSE Ø6X3	
11	107318131	1	HIGH PRESSURE HOSE DN2 1 M	
12	1600410	1	"Ligeforskrøning Ø6 X 1/4"" "	
13	107312045	1	FITTING M8X6	[2]
14	107318132	1	T-CONNECTION	[2]
15	1821	1	Fitting	[3]
16	24401	1	THREE-WAY TERMINAL	
17	103821920	1	WIRE TERMINAL	
18	3803764	1	Pakdåse Tet 5-7C	
19	3001427	1	Kabelgennemføring	

Part Notes:

- [1] - PLEASE CONTACT CARWASH DIRECTLY
- [2] - For pump 5
- [3] - For pump 7 and 8



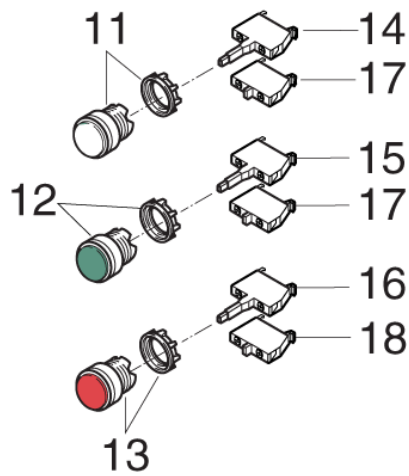
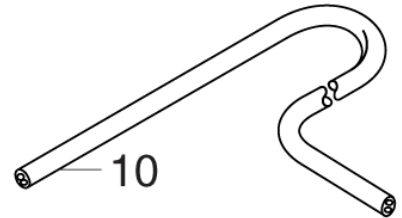
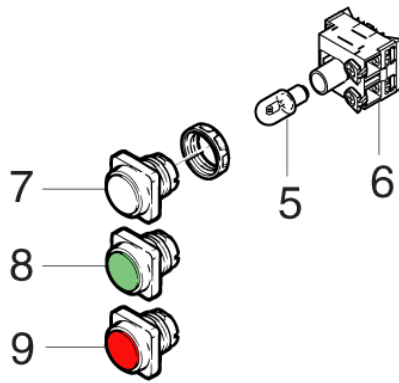
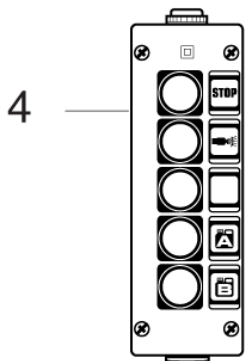
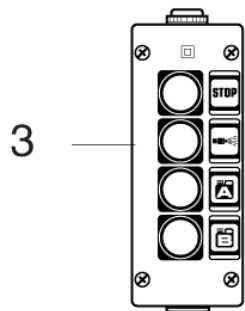
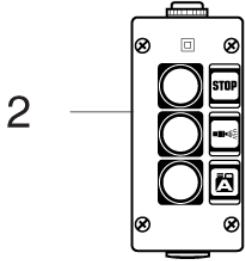
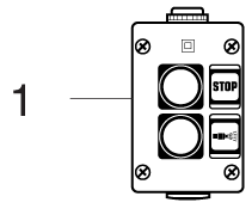
OPTION No-scale

SOLAR BOOSTER 7-58 / SH SOLAR 170/1200 E

2015.05.19

2013.04.02

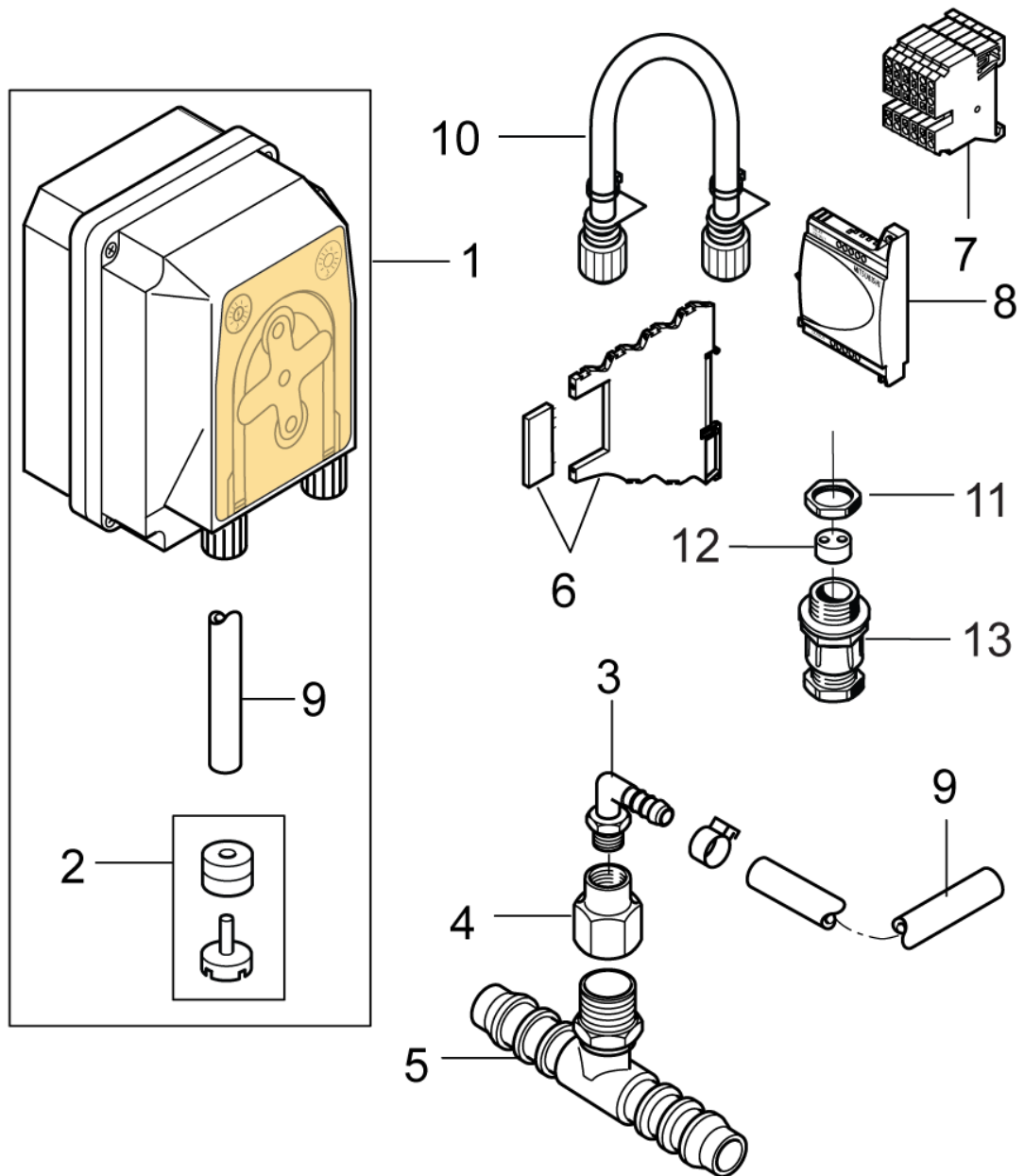
Pos.	Vare-nr	Antal	Beskrivelse	Notes
0-	107370958	1	No Scale kit	
01	107318104	1	BRACKET FOR NO-SCALE	
04	5226147	1	HOSE PVC 4/7.2	
05	1814151	1	HOSE CLIP	
06	3821492	1	KS-PUMP ST 15 24V	
07	4812338	1	WIRE FOR FLOW SWITCH 1200MM	
08	1800606	2	Maskinskrue M4X10	
09	103821920	2	WIRE TERMINAL	



Pos.	Vare-nr	Antal	Beskrivelse	Notes
01	107340911	1	Fjernbetjeningsbokse 2 knapper	
02	107340912	1	Fjernbetjeningsbokse 3 knapper	
03	107340913	1	Fjernbetjeningsbokse 4 knapper	
04	107340914	1	Fjernbetjeningsbokse 5 knapper	
05	41548	1	BULB 24V	[1]
06	11958	1	SHOULDER LUMINOUS BUTTON	[2]
07	29960	1	SIGNAL LIGHT ATTACHMENT White	[3]
08	29961	1	PUSH BUTTON, GREEN	[3]
09	29962	1	PUSH BUTTON, RED	[3]
10	5713	1	Kontrollkabel 9 X 0,75 Mm	[4]
10	24429	1	CABLE	[5]
10	17388	1	CONTROL CABLE	[6]
10	41518	1	CABLE PVC MEWA12X0,75	[7]
11	103822004	1	Push Button, White	[8]
12	103821823	1	Lampekontakt, Grøn	[8]
13	103821824	1	Signal Light Atteachment, Red	[8]
14	103821999	1	LAMP ELEMENT ZAL-VB4 WHITE	[8]
15	103822000	1	LAMP ELEMENT GREEN	[8]
16	103822001	1	LAMP ELEMENT RED	[8]
17	103822002	1	CONTACT ELEMENT NO 3-4	[8]
18	103822003	1	CONTACT ELEMENT NC 1-2 M/1	[8]
19	301001396	1	LABEL SIGN FOR REMOTE CON	

Part Notes:

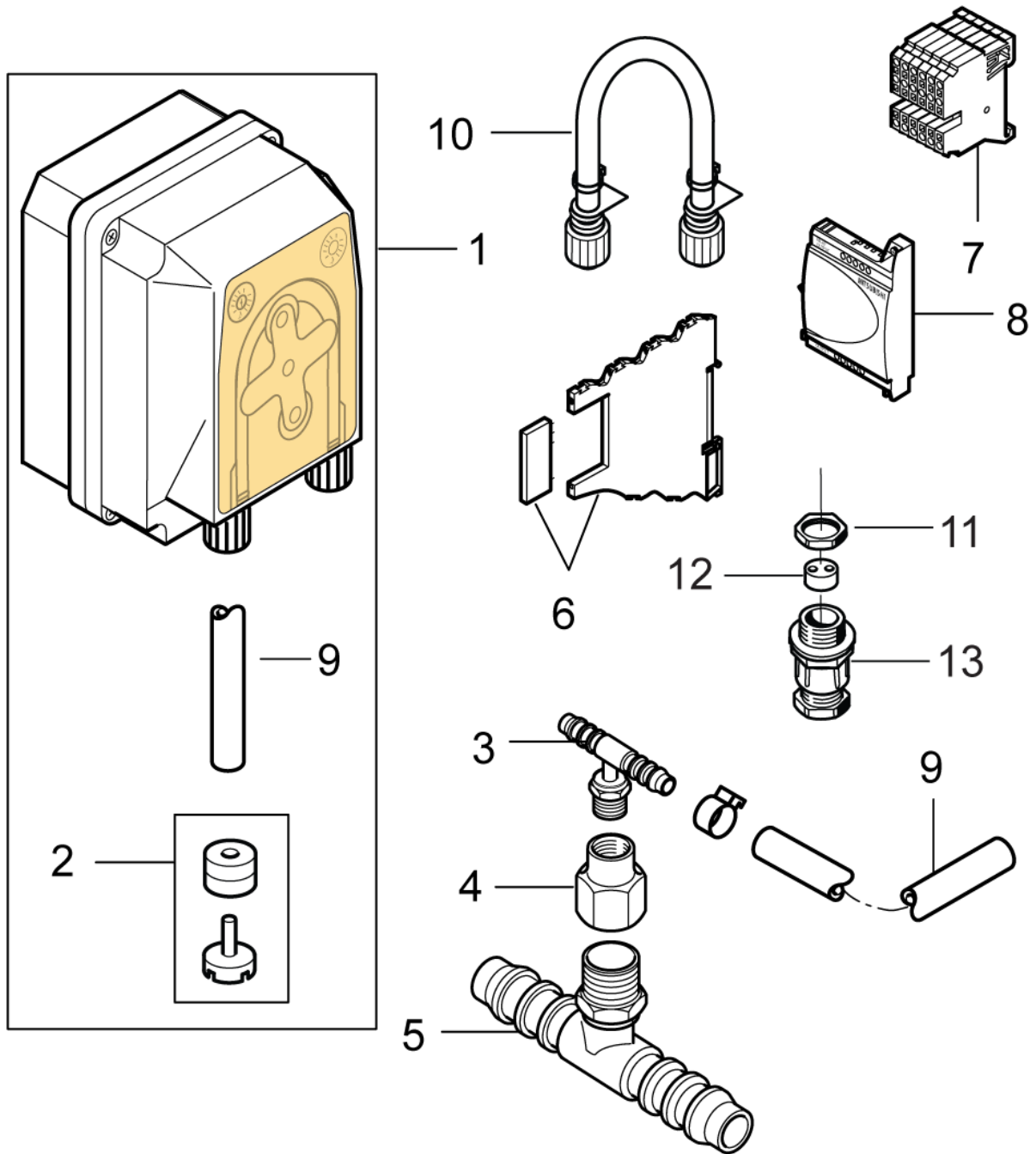
- [1] - UP TO 2004.05.11
- [2] - UP TO 2004.05.11
See STI SPW-015
- [3] - See STI SPW-015
- [4] - 3 buttons
- [5] - 5 buttons
- [6] - 2 buttons
- [7] - 4 buttons
- [8] - FROM 2004.05.11



Pos.	Vare-nr	Antal	Beskrivelse	Notes
00	107370952	1	1 x rengøringsmiddel elektronisk	
01	103822206	1	Kemipumpe Max 18 L/Time	
02	31000101	1	FILTER AND LOCK FOR CHEMICAL PUMP	
03	107318136	1	Hose Tail Elbow 4 x 1/4	
04	107318134	1	Reduction 1/2 x 1/4	
05	107318155	1	T-HOSE CONNECTION D19X1/2XD19 BLUE PE	[1]
05	107318137	1	T Connection 1/4 x 1/2	
06	103821828	1	Relæ	
07	103821920	6	WIRE TERMINAL	
08	103821948	1	EXPANDER AL2-4EYR	
09	107318062	1	HOSE SILICONE 6/ 4X5M	
10	103822265	1	Slange F Kemipumpe	
11	103821778	1	NUT M20X1.5	
12	103821946	1	INSERT 3X6.5	
13	103821785	1	CABLE BUSHING	

Part Notes:

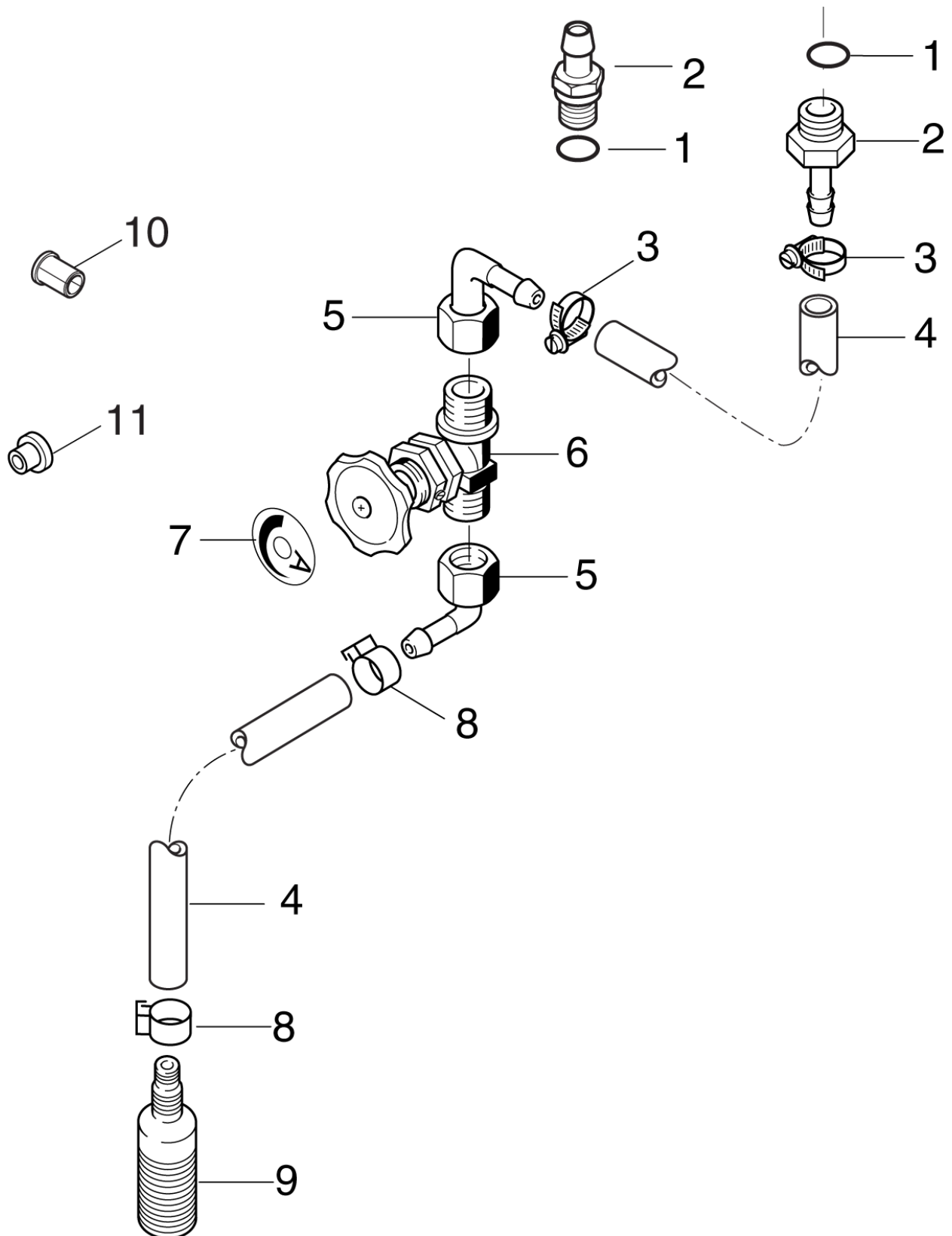
[1] - Only on NP8 pumps



Pos.	Vare-nr	Antal	Beskrivelse	Notes
00	107370953	1	2 x rengøringsmiddel elektronisk	
01	103822206	1	Kemipumpe Max 18 L/Time	
02	31000101	1	FILTER AND LOCK FOR CHEMICAL PUMP	
03	107318138	1	T CONNECTION 4X1/4	
04	107318134	1	Reduction 1/2 x 1/4	
05	107318155	1	T-HOSE CONNECTION D19X1/2XD19 BLUE PE	[1]
05	107318137	1	T Connection 1/4 x 1/2	
06	103821828	1	Relæ	
07	103821920	6	WIRE TERMINAL	
08	103821948	1	EXPANDER AL2-4EYR	
09	107318062	1	HOSE SILICONE 6/ 4X5M	
10	103822265	1	Slange F Kemipumpe	
11	103821778	1	NUT M20X1.5	
12	103821946	1	INSERT 3X6.5	
13	103821785	1	CABLE BUSHING	

Part Notes:

[1] - Only on NP8 pumps



Pos.	Vare-nr	Antal	Beskrivelse	Notes
0-	107340903	1	Manual til rengøringsmiddel	
01	3001740	1	O-Ring 7,66X1,78 Nitril	
02	1609300	1	Slangestuds	[1]
02	1608512	1	"Muffe 1/4"	[2]
03	1807593	2	Spændebånd 6-16MM A2	
04	4973	1	HOSE Ø6X3	
05	101609346	1	Hose Socket, Elbow	
06	103403268	1	Needle Valve	
07	12117	1	Tap Sticker	
08	1810084	2	Spændebånd Ø10,8/12,3	
09	107145440	1	Strainer Valve Compl. Kit	
10	107302159	1	Reduktion	[3]
11	301000187	1	Blænde	[4]
11	301001103	1	Blænde	[5]

Part Notes:

- [1] - C3
- [2] - UNO , DUO
- [3] - UNO, DUO
- [4] - C3 - 5,5kW
STOCK COVERS GUARANTEE
- [5] - C3 - 6,5 kW
NO LONGER AVAILABLE

Pos.	Vare-nr	Antal	Beskrivelse	Notes
0A	64314	1	Reparationskit ventilstempel	[1]
0A	1119570	1	Rep. sæt pakninger C3	[1]
0A	1119820	1	Rep. sæt olietætning 03	[1]
0A	301000905	1	Stempel	[1]
0A	3812385	1	Sikring Ø5X20	[1]
0A	1119571	1	Rep. sæt (pakningssæt, reduceret)	[1]
0A	56519	1	O-Ring	[1]
0A	301001195	1	Rep. Sæt Omløbsventil	[1]
0A	1119820	1	Rep. sæt olietætning 03	[1]
0A	1119570	1	Rep. sæt pakninger C3	[1]
0A	5218433	1	Pumpeolie ISO 150 (1 liter)	[1]
0A	6100941	1	Filter	[1]
0A	1119195	1	Rep. sæt ventilsystem	[1]
0A	63056	1	Rep.Sæt Omløbsventil	[1]
0B	63871	1	FLOAT VALVE 3/4 DN10 SS MAX 90 DEGR C	[2]
0B	107318091	1	VIBRATION DAMPER M8	[2]
0C	107318096	1	SAFETY DEVICE 3P 32A 10KA	[3]
0C	103821847	1	CONTROL TRANSFORMER 230V 24/19	[3]
0C	101406030	1	High Pressure Hose	[3]
0C	103821929	1	AUXILIARY CONTACT 140M-C-AFA01	[3]
0C	107120701	1	Cylinder	[3]
0C	3200656	1	Nåleleje Ina K 40X46X17	[3]
0C	103821899	1	CONNECTION MODUL 16/23AMP	[3]
0C	107120714	1	Skråskive 10	[3]
0C	107120716	1	Skråskive 12	[3]
0C	103822306	1	Contactoer Cjx2-D18-B7 24V	[3]
0C	107318150	1	Thermostat 0-85	[3]
0C	107318088	1	HIGH PRESSURE HOSE DN8	[3]
0C	1802511	1	Seegerring U 28 X 1,5	[3]
0C	3600301	1	Manometer	[3]
0C	301000731	1	Mikrokontakt	[3]
0C	107120707	1	Skråskive 3	[3]
0C	103822317	1	Contactoer Cjx2-D32-B7 24V	[3]
0C	6301166	1	Trykstempel keramik C3	[3]
0C	301002458	1	Reed Contact	[3]
0C	107140615	1	Front Bearing Cover Compl Ete	[3]
0C	103821898	1	Relæ, 10-16A	[3]
0C	3200664	1	Nåleleje	[3]
0C	107310070	1	MOTOR 6.5KW 400-415.230/3/50	[3]
0C	3817582	1	Niveauføler, Mps	[3]
0C	103821846	1	Sikkerhedstranf. 400V	[3]
0C	107120704	1	Lejeskive	[3]
0C	107120708	1	Skråskive 4	[3]
0C	106420051	1	Circuit Board	[3]
0C	103822046	1	Sikkerh.Thermostat 97/1750	[3]
0C	107310072	1	MOTOR 5.5KW 400-415.230/3/50	[3]
0C	3200615	1	Rulleleje	[3]
0C	301000616	1	Level Indicator, Pump Oil	[3]
0C	107318110	1	Heating Element 18Kw	[3]
0C	107310071	1	MOTOR 5.5KW 400-415.230/3/50	[3]
0C	6101750	1	D-Lejedæksel Komp. 03	[3]
0C	3821748	1	Hjælpekontakt Ab 100-Sb10	[3]
0C	6100602	1	Spændering	[3]

Part Notes:

- [1] - A
- [2] - B
- [3] - C

